

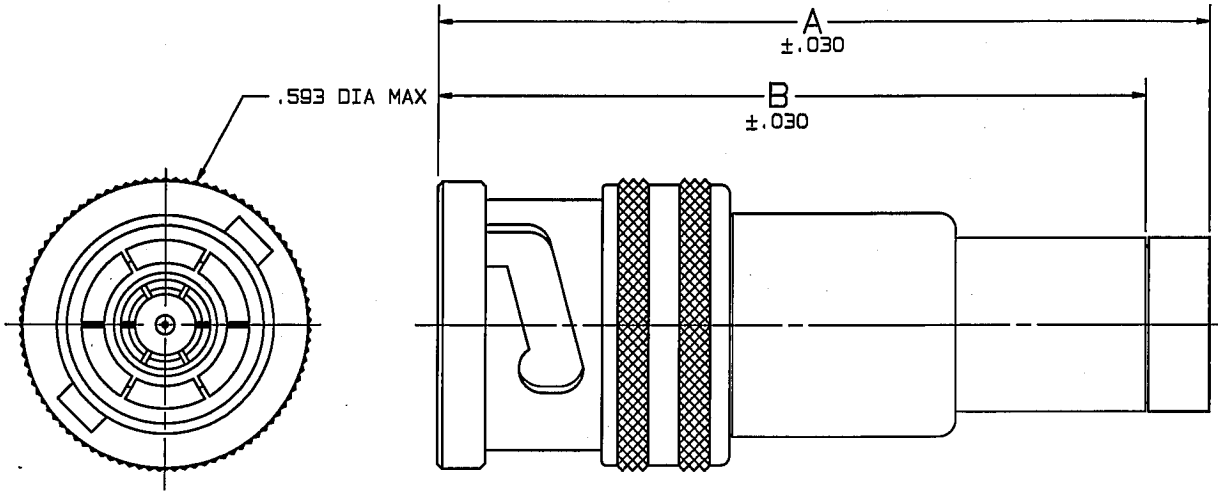
RED INDICATES ORIGINAL

TABLE 1				
DASH NO	CABLES ACCOMMODATED	ASSEMBLE PER	DIM "A"	DIM "B"
-201	M17/176-00002	TAI-201	1.540	1.375
-202	TWC-78-1			
-203	TWC-124-1A			
-204	10602 RAYCHEM			
-205	TWAC-78-1F2			
-206	782600130 RAYCHEM			
-207	83310 BELDEN			
-208	202-3927 MICRODDOT			
-209	202-3942 MICRODDOT			
-210	8451 BELDEN			
-211	202-3934 MICRODDOT			
-212	2524E0114 RAYCHEM			
-213	TWC-78-2			
-214	TWC-124-2			
-215	BL982, TIMES			
-216	BL1242, TIMES			
-217	GC875TM24H GRUMMAN			
-218	EDP221888, RAYCHEM			
-219	2526D1114 RAYCHEM			
-220	GC875RR1, GRUMMAN			
-221	10614, RAYCHEM			
-222	10613, RAYCHEM			
-223	HMS2-1149, HUGHES			
-224	TWCP-124-3			
-225	PS665PL, PRIME STOCK			
-226	TWCP-124-5	TAI-209	1.660	1.495

DWG SIZE **B**
 DATA CONTAINED IN THIS DOCUMENT IS PROPRIETARY TO TROMPETER ELECTRONICS, INC. AND SHALL NOT BE DISCLOSED, COPIED OR USED FOR PROCUREMENT OR MANUFACTURE WITHOUT EXPRESS WRITTEN PERMISSION.

REVISIONS			3-0288		SH 1
REV	ED	DESCRIPTION	DWN	APPROVED	DATE
C	11342	ADDED DIMENSIONS "A & B" TO TABLE 1; SEE ECO	DKC	<i>BMI/TJS</i>	10/25/95

INCH	MM
.005	0.13
.030	0.76
.296	7.52
.593	15.06
1.375	34.93
1.495	37.97
1.540	39.12
1.660	42.16



-201 SHOWN

5. EXAMPLE OF COMPLETE MODEL NO:
PL74MC - 201
 BASIC MODEL NO. — CABLE GROUP DASH NO (SEE TABLE 1)

3. CONCENTRIC TWINAX 2-LUG TRB, MILITARY FULL CRIMP CABLE PLUG
2. FINISH: TFS-1A (NICKEL)
1. ALL DIMENSIONS ARE IN INCHES



QTY	DESCRIPTION		PART NUMBER	ITEM		
	TOL UNLESS SPECIFIED .XX ± .XXX ± .005 .XXXX ± ANGLES ±		TROMPETER ELECTRONICS, INC.	PL74MC		
DWN	DKC	10-12-95			MATERIAL	CODE IDENT
CHK	<i>BMI</i>	<i>10-23-95</i>	—	14949	3-0288	C
ENGR	—	—				
NEXT ASSY	APPR	<i>TJS</i>	10/25/95	SCALE 4/1	DATE 10-6-94	SHEET 1 OF 2